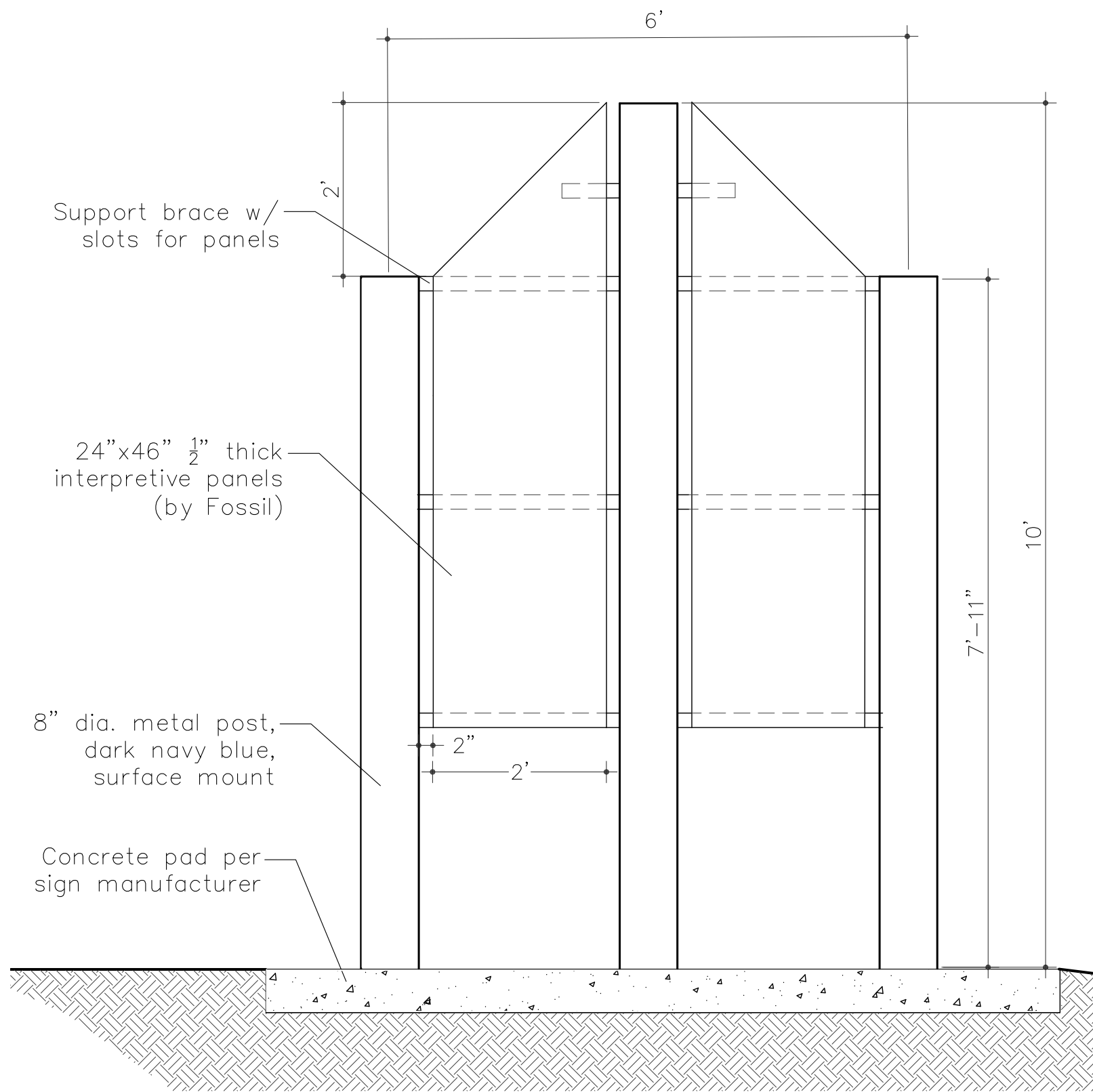


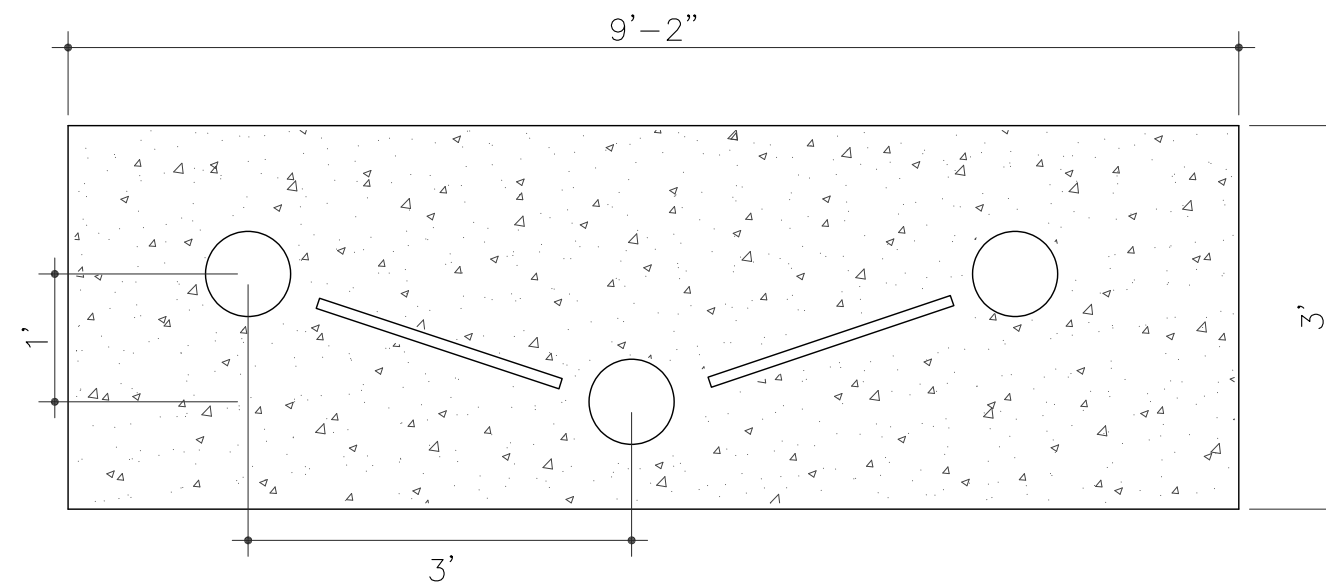
Overall Landscape Plan

**L-1
Anchor at Ship Creek
Interpretive Project**

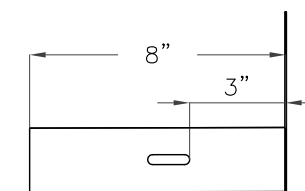
April 19, 2022



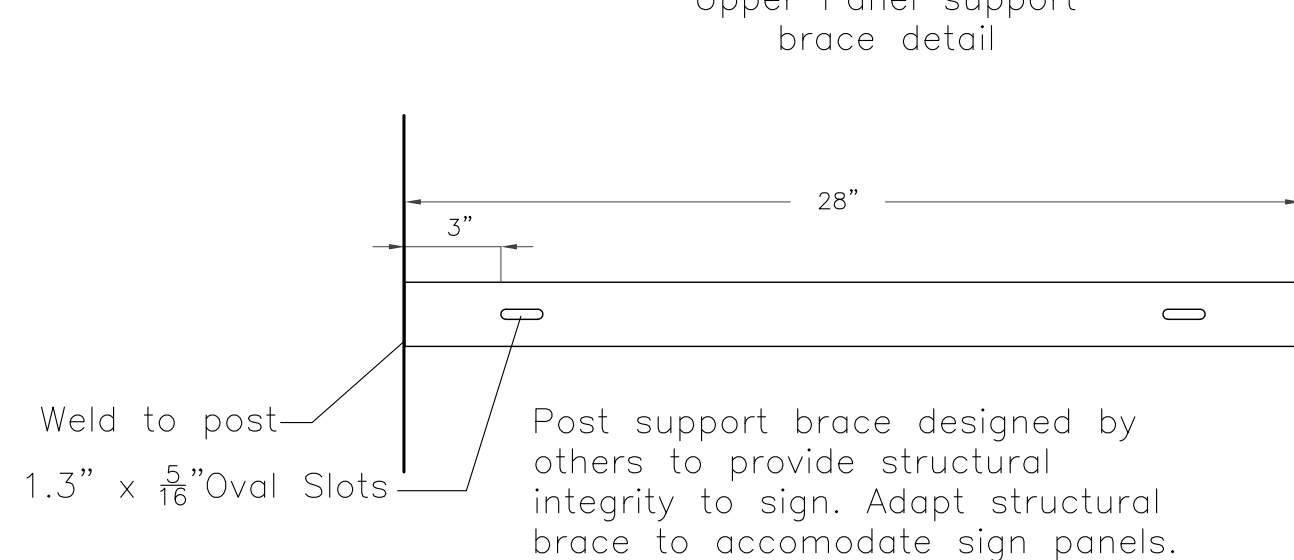
Navy Interpretive Panels



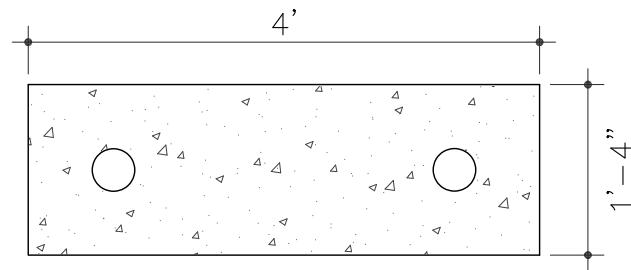
Concrete pad



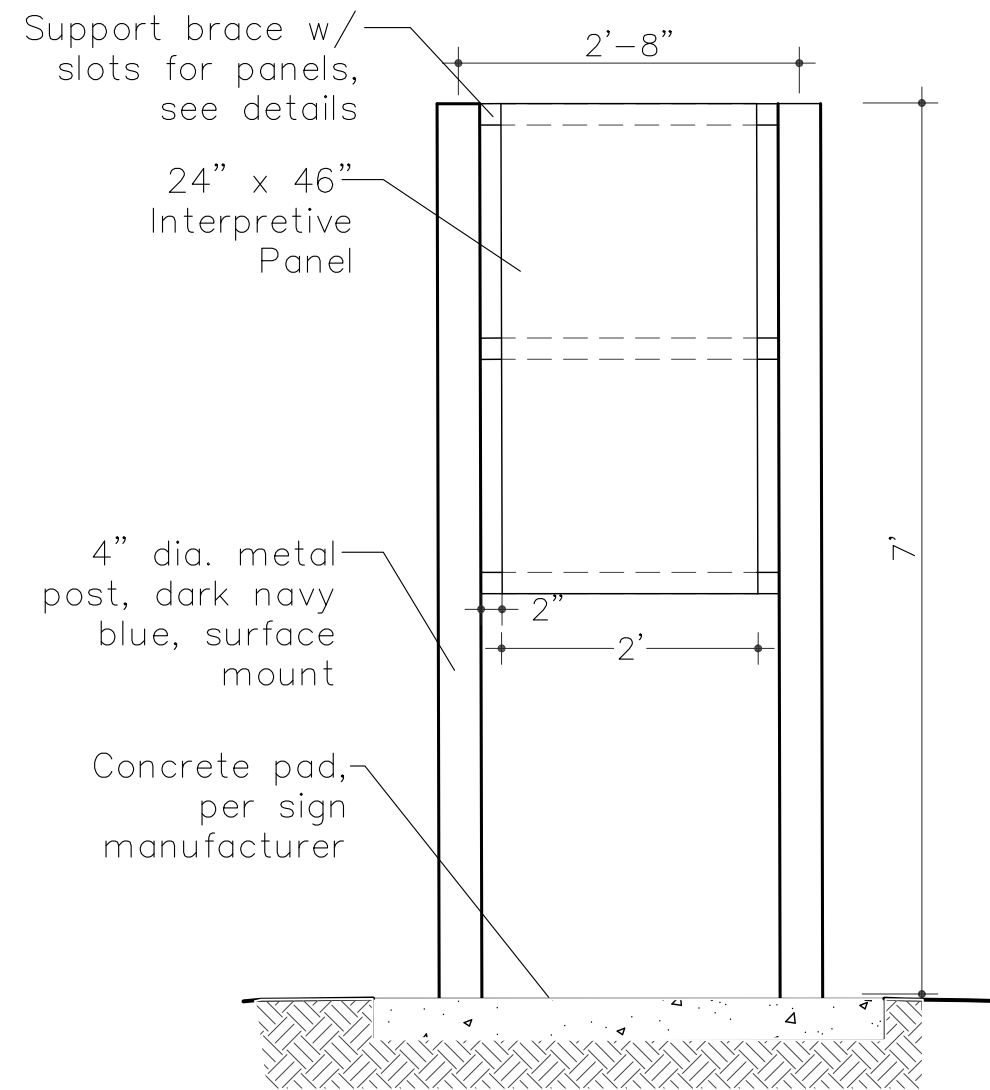
Upper Panel support brace detail



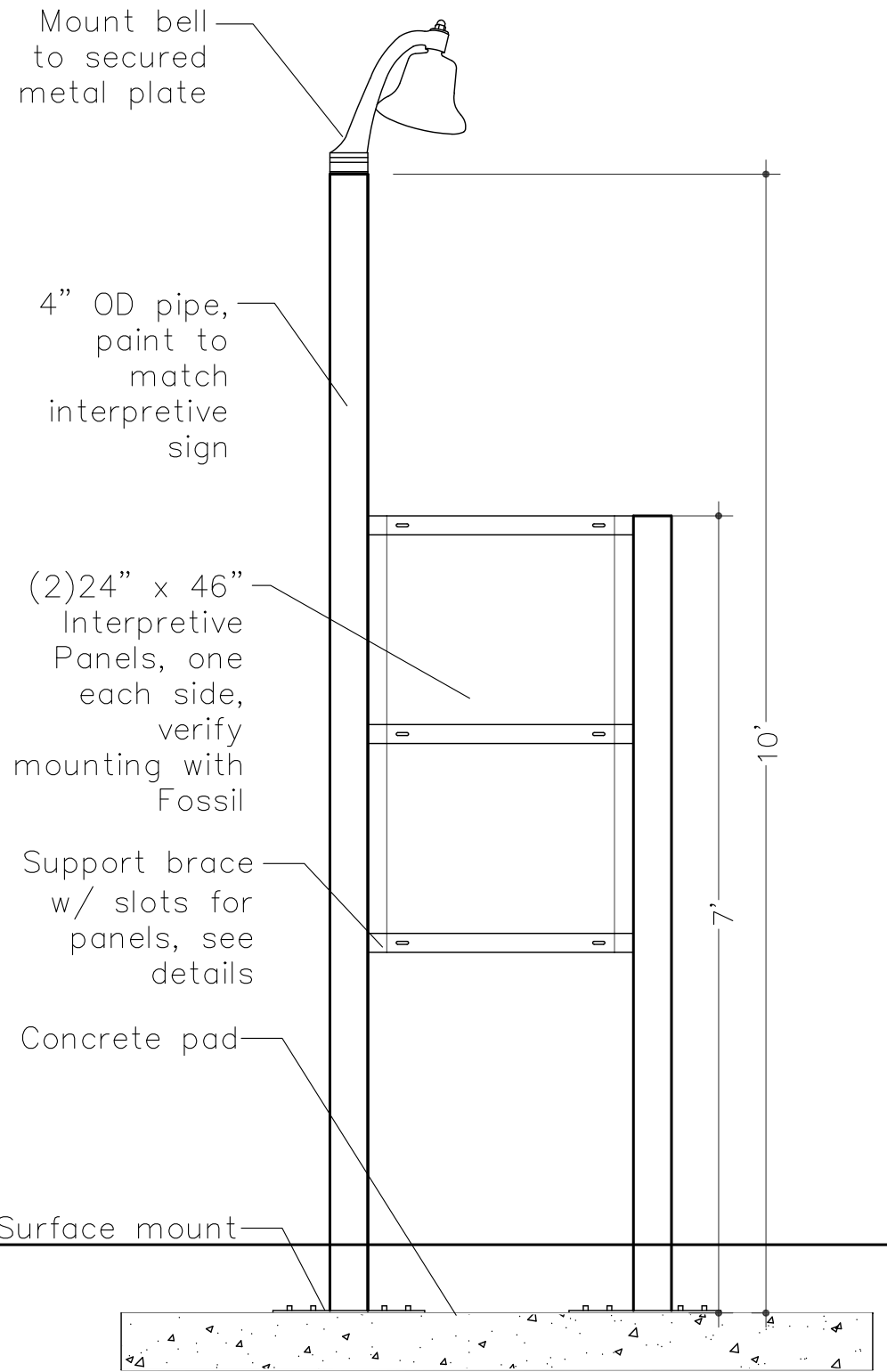
Panel attachment/brace



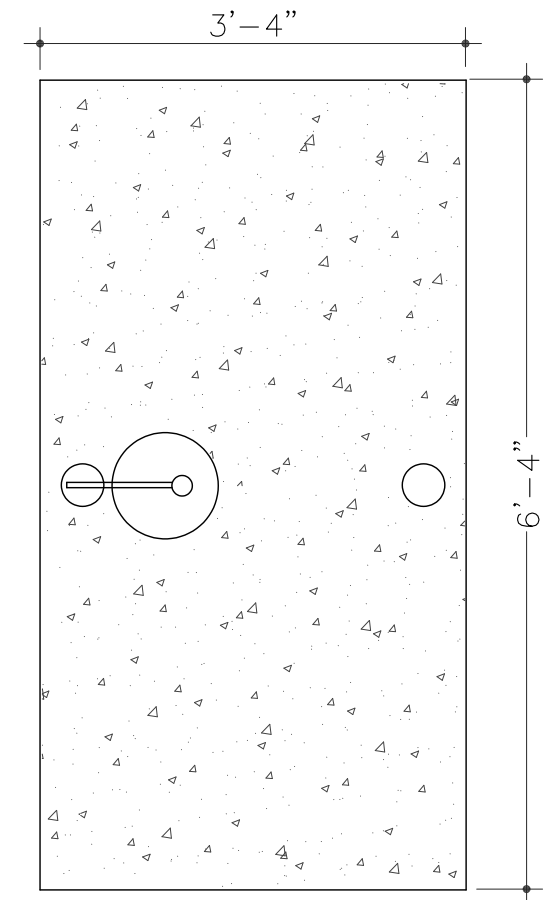
Concrete pad



US Coast Guard Display



Bell Tower Display



Concrete pad